

4

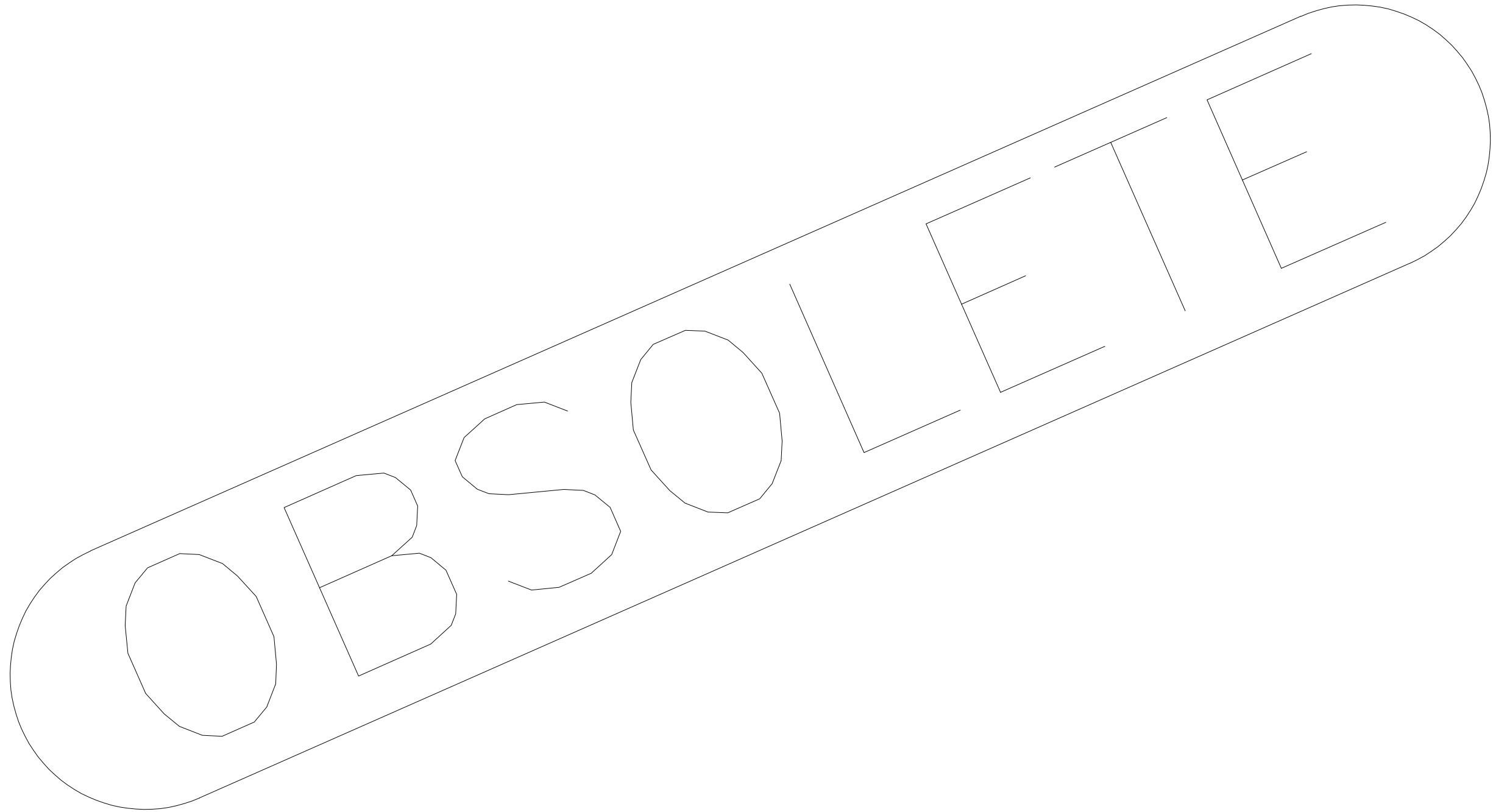
3


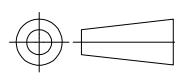
2

1

THIS DRAWING IS UNPUBLISHED. RELEASED FOR PUBLICATION - , - .
 © COPYRIGHT - By - ALL RIGHTS RESERVED.

LOC		DIST		REVISIONS			
P	LTR	DESCRIPTION		DATE	DWN	APVD	
-	-	-	-	OBSOLETE ALL PARTS	27JUL2015	I.T	W.H



THIS DRAWING IS A CONTROLLED DOCUMENT.		DWN	-	 TE Connectivity						
		CHK	-							
DIMENSIONS: mm		TOLERANCES UNLESS OTHERWISE SPECIFIED:		NAME						
		0 PLC ± -		BOARD TO BOARD CONNECTOR 0.5MM FINE MATE						
		1 PLC ± -								
		2 PLC ± -		PRODUCT SPEC		SIZE		CAGE CODE	DRAWING NO	RESTRICTED TO
		3 PLC ± -		108-57578		A3		00779	C-	-
4 PLC ± -		ANGLES ± -		APPLICATION SPEC		-		-		
MATERIAL		FINISH		WEIGHT		-		-		
-		-		CUSTOMER DRAWING		SCALE		SHEET		
						1:1		1 OF 1		
								REV		
								-		